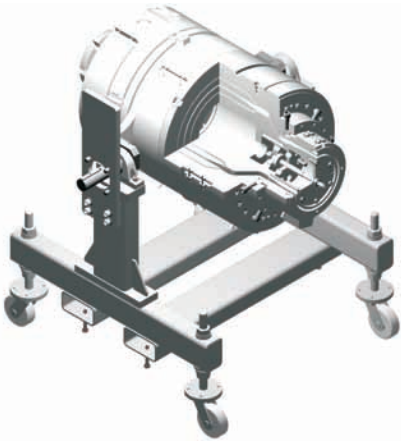


Pipe Dies



ETA pipe dies are spiral mandrel dies with flow passages optimised for short residence time.

Internal cooling provides higher throughput and better quality when producing thick wall products and processing sensitive materials.

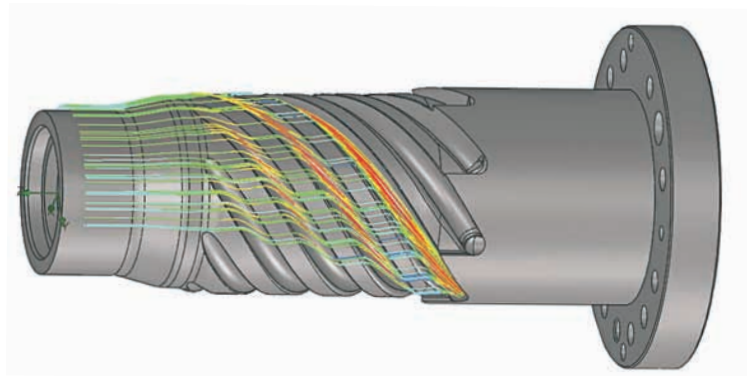
Single and multi-wall extrusion of up to 7 layers including colour striping prove ETA capability for up to 1000 mm pipe diameter.

Applications

- glasfiber reinforced pipes
- pipes with barrier layers
- transparent pipes
- pipes for special applications

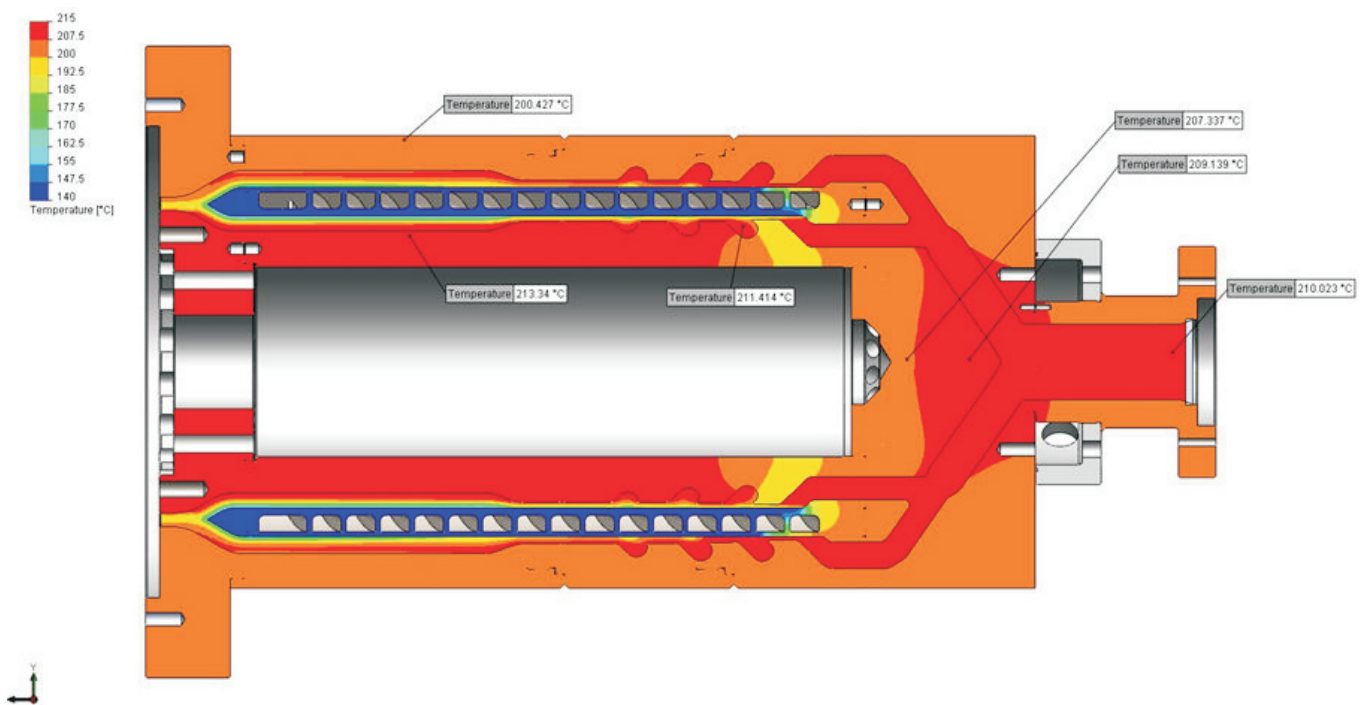
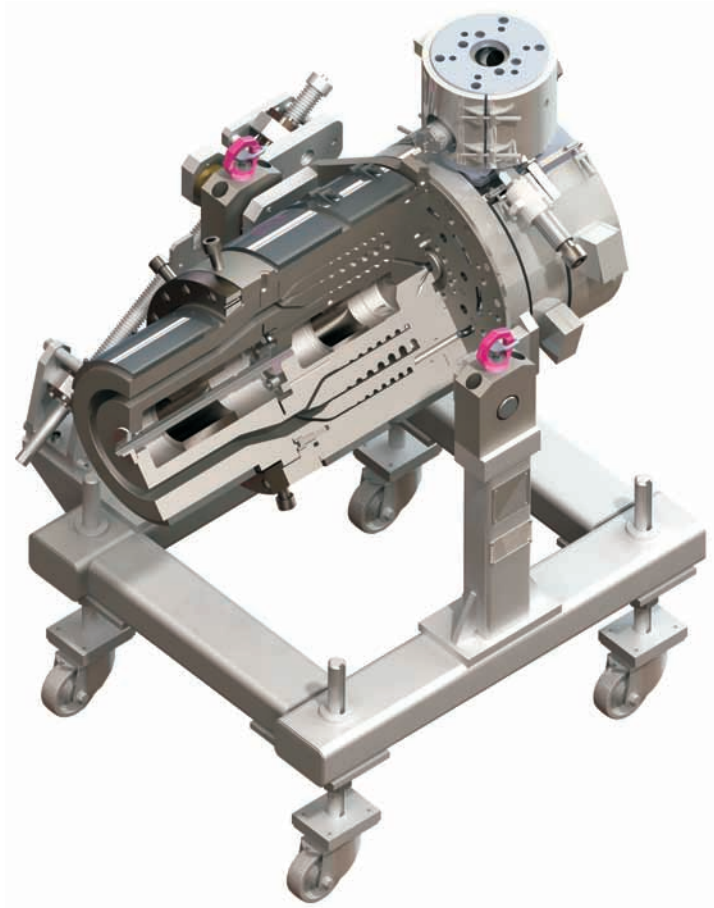
Advantages

- high throughput rates
- short material and colour change times
- pipes free from weld lines
- excellent wall thickness distribution
- control of melt temperature
- smooth surfaces



Computer Aided Lay-out and Design

Lay-out and design is supported by fluid analysis (CFD simulations).



ETA Kunststofftechnologie GmbH

Biberweg 4
53842 Troisdorf / Germany
Fon: +49 / 2241 / 949707
Fax: +49 / 2241 / 949709
mail@eta-gmbh.de
www.eta-gmbh.de

