

Blown Film Dies



ETA blown film dies are used for the production of most types of mono- and multi-layer films.

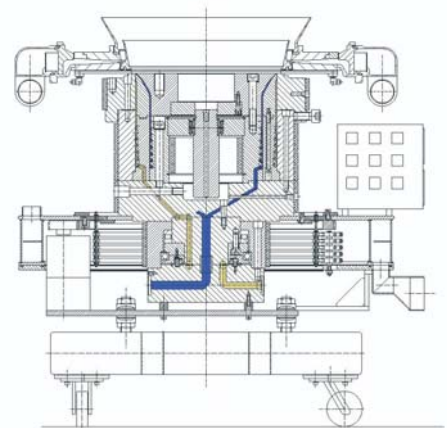
Stationary and rotating with up to 9 layers.

Die diameter 4 to 800 mm.

Products and Applications

- barrier films for food packaging
- technical films for high-tech applications
- sealing films
- laminating films
- laboratory systems

The dies contain spiral mandrel systems with cylindrical or conical, concentric or sequential distributor manifolds. Or circular distributors (CV technology) in modular design and sequential arrangement.



Advantages

- good thickness tolerances
- high throughput rates
- best optical quality - no flow lines
- fast purging for rapid material and colour changes
- ease of handling
- compact design, low height
- open centre for IBC

Highest Quality through

- innovative design ideas
- precise manufacturing
- modern material and surface technologies
- computer aided lay-out
- experienced engineering team



IBC Systems for Blown Film

Modern blown film lines require installations with internal bubble cooling.



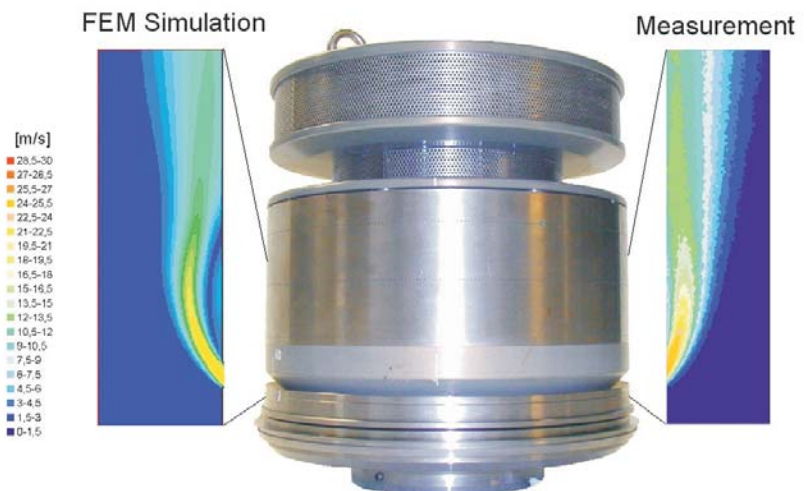
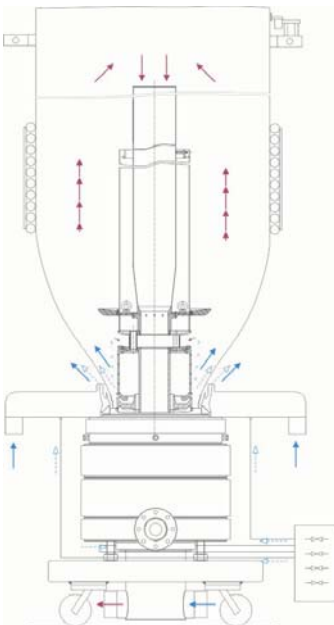
ETA IBC Systems (IKS) provide

- high-output production
- improved bubble stability
- longer production runs because condensation is avoided
- improved basic thickness tolerances
- may be combined with internal or external gauge control systems
- easy adaptation to existing dies

Highest Quality through

- innovative use of modern materials and coatings
- lay-out and optimisation with CFD support
- trials with high precision films

Sophisticated engineering tools used in fluid dynamic research are applied for lay-out, design and manufacturing of ETA IBC systems.



ETA Kunststofftechnologie GmbH

Biberweg 4
53842 Troisdorf / Germany
Fon: +49 / 2241 / 949707
Fax: +49 / 2241 / 949709
mail@eta-gmbh.de
www.eta-gmbh.de

