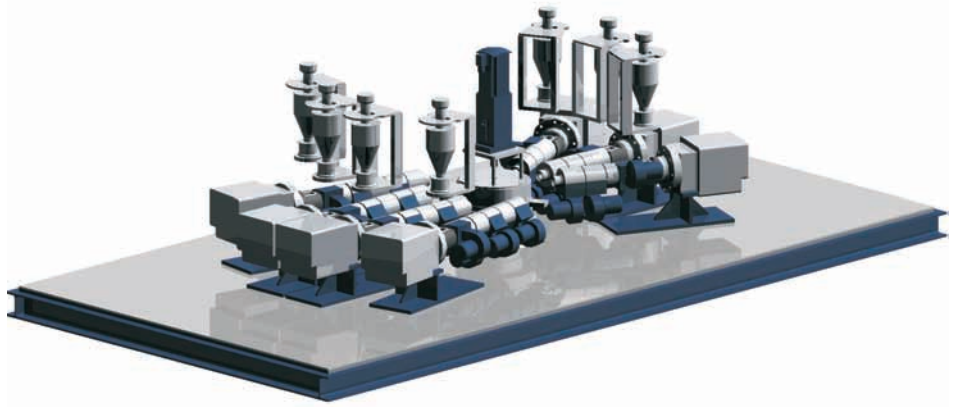


Extruder Platforms

The combination of ETA key components like extrusion die head and plasticising unit makes it possible to build complete compact extruder platforms with high efficiency and quality.



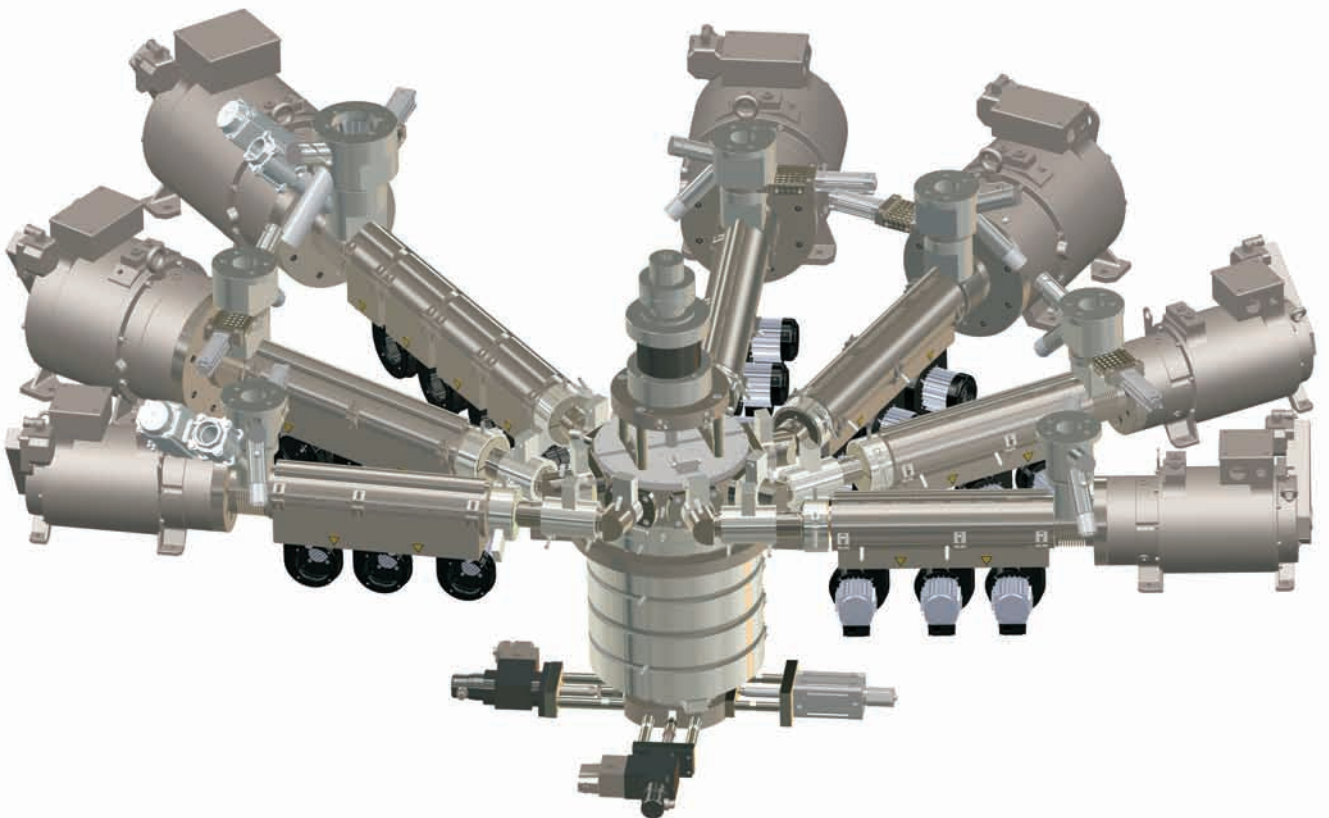
A total system without restrictions is formed with individually designed connecting adaptors and accessories. All components are well adapted to each other.



Extrusion Systems - Ready to Install

In most cases, ETA die heads are supplied together with the necessary adapters for connecting to the extruders, and quite often including sensors and actuators. In addition, other peripheral equipment can be designed and adapted, e. g.

- hydraulic or electro-mechanical actuators for mouth pieces or axial displacement of die cores (sliding die and others)
- internal liquid cooling of die heads
- heater/cooler units for exact temperature control of external parts



ETA Kunststofftechnologie GmbH

Biberweg 4
53842 Troisdorf / Germany
Fon: +49 / 2241 / 949707
Fax: +49 / 2241 / 949709
mail@eta-gmbh.de
www.eta-gmbh.de

