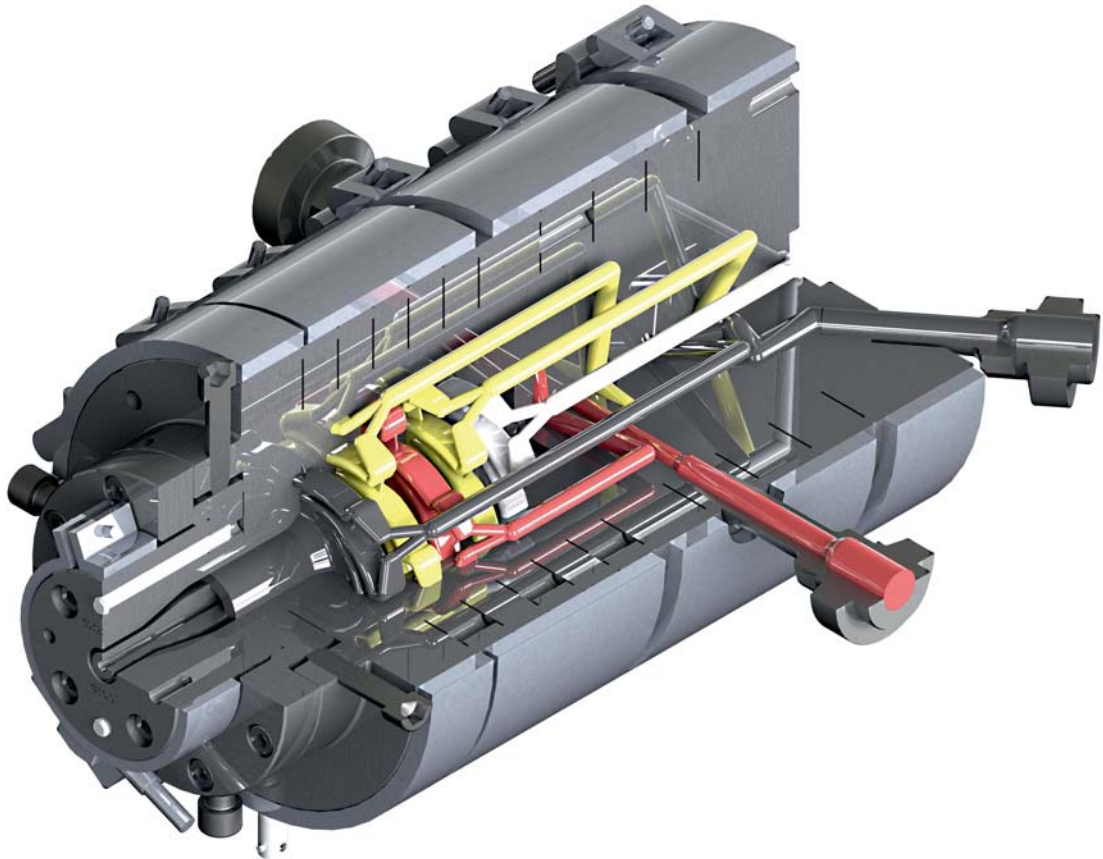


CV_e Die for Tubes and Conduits

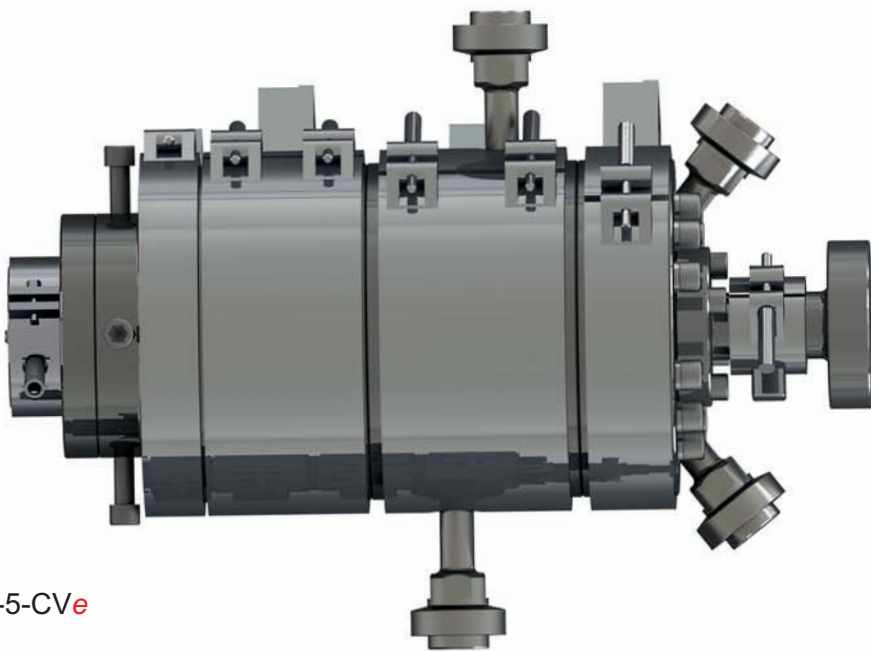
available for production test!

Developed on basis of the proven ETA CV series.
Fulfills market demand for fuel lines, hydraulic hoses and cooling lines within the diameter range from 4 to 20 mm.



CV_e Die series

- proven CV technology
- for 1-layer, 3-layer or 5-layer products
- modular design
- ease of handling
- very good circumferential melt distribution
- no weld lines
- short material and colour change times
- low pressure loss
- individual extruder positions
- economic design



RCW-5-CV^e



RCW-3-CV^e



RW-1-CV^e

ETA Kunststofftechnologie GmbH

Biberweg 4
53842 Troisdorf / Germany
Fon: +49 / 2241 / 949707
Fax: +49 / 2241 / 949709
mail@eta-gmbh.de
www.eta-gmbh.de

